



EU



Germany



USA

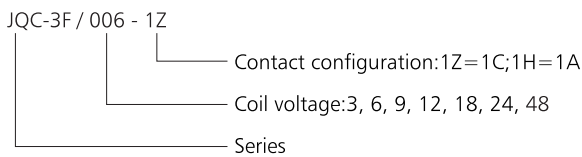


## JQC-3F Sub-miniature Power Relay

### 1. Features

- 1.1 7A, 10A switching current
- 1.2 Sealed type
- 1.3 Dimension: 19mm× 15.5mm× 15.5mm
- 1.4 Certificate: TUV, UL, CE.

### 2. Ordering information



### 3. Contact specification

Contact Arrangement		1A 1C
Initial contact resistance	mΩ	100
Contact material		Silver alloy
Rated load(resistive)		10A/125VAC, 7A/250VAC, 7A/30VDC
Max. switching voltage	VAC	250
	VDC	30
Max. switching current	A	10
Max. swithcing capacity	VA	1750
	W	210
Electrical endurance	Cycles(× 10 <sup>3</sup> )	100
Machenal endurance	Cycles(× 10 <sup>6</sup> )	10

### 4. Coil specification

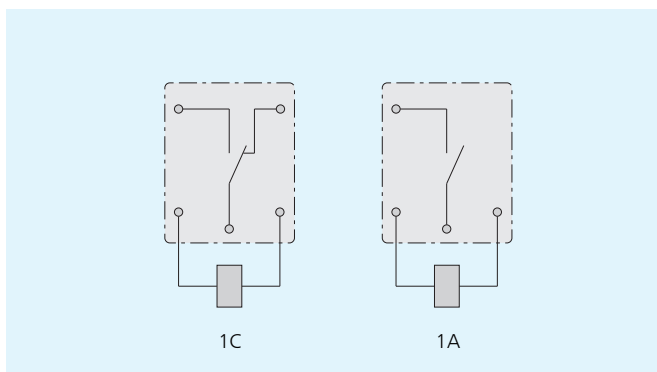
Rated voltage	Holding voltage	Must drop-out voltage	Operating range	Power consumption
3	75%Un	10%Un	(75%~110%)Un	0.36W
6				
9				
12				
18				
24				
48				

## 5. Characteristics

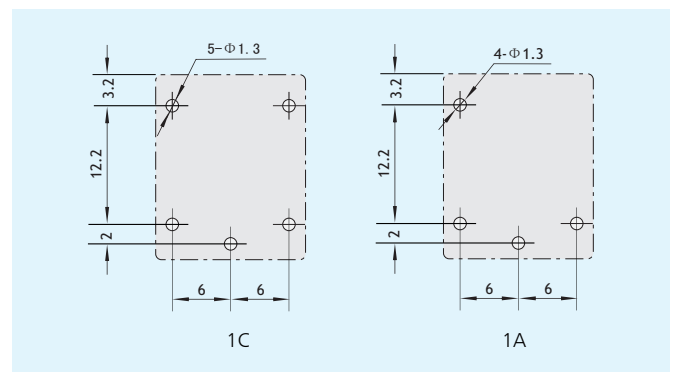
Insulation resistance(at 500VDC)		mΩ	100
Dielectric strength	Between coil & contacts		1200VAC for 1min
	Between open contacts		750VAC for 1min
Operation time		ms	≤10
Release time		ms	≤10
Shock resistance		m/s <sup>2</sup>	100
Vibration			10~55Hz, 1mm double amplitude
Humidity			90% at +40℃
Ambient temperature range		℃	-30~+60
Termination			PCB
Dimension		mm	19×15.5×15.5

## 6. Overall mounting dimensions (mm)

Internal connection(bottom view)



Mounting holes(bottom view)



Dimensions

